



Pressure Gauge with Adjustable Switch

Specifications

Pressure Range

0-14 Bar (0-200 psi.)

Diaphragm Protection

Diaphragm Housing Upper Body: Stainless 316L

Diaphragm Housing Lower Body: Hastelloy C-276

Diaphragm: Tantalum

Liquid Fill: Halocarbon

Temperature: -40° to 70° C (-40° to 158° F)

Connection

1/4" FNPT lower process connection

Relay

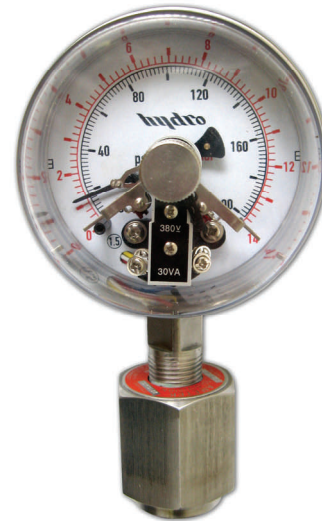
Maximum Voltage: 380 Volts

Maximum Power: 10 VA

Maximum Current: 1 Amp

Features

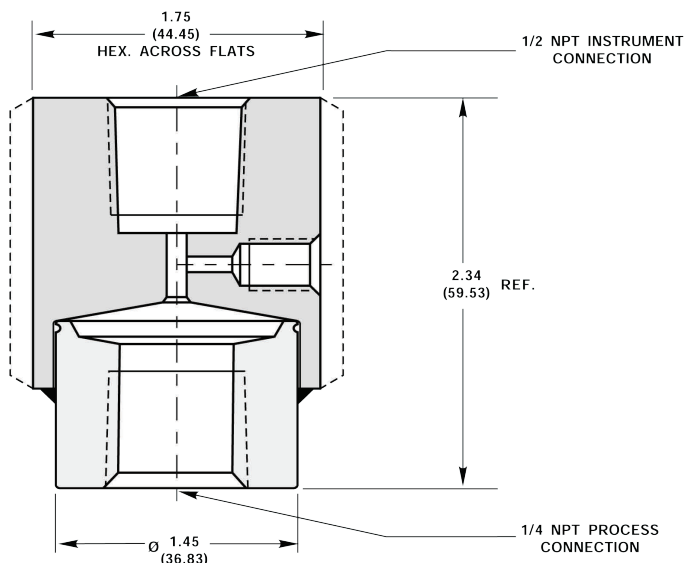
- Adjustable dial face alarm settings
- Large 316 SS, 4" Dial (100 mm)
- Tantalum diaphragm protected
- Convenient rear access relay connections



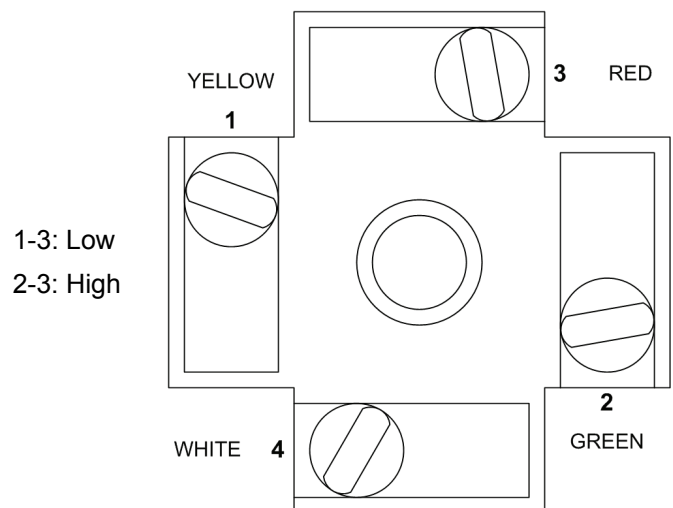
Ordering Information

Product Number	Description
PGS-14-EW-CIS	Pressure gauge with adjustable switch, Diaphragm protected.

Diaphragm Protection



Switch



Model PGS-14-EW-CIS
Pressure Gauge / Switch Combination Instrument



General Service and Maintenance Instructions

1. Prior to installation first inspect to confirm that the application is suitable for the specifications for the switch relays and that the needle indicators are adjusted to the appropriate settings.
2. It is recommended that this instrument be used in environment with a Temperature range of -40C to 70C and with relative humidity not exceeding 85%. The instrument also should only be used where there is not excessive vibration that will effect reliable relay operation and/or accurate reading of the pressure gauge indicator needle.
3. The instrument should be installed in a vertical orientation.
4. All wiring should be carefully installed and tested after installation.
5. Follow relevant safety precautions when making any pressure or electrical connections.

Relay Settings and Wiring Instructions

1. The Model PGS-14-EW-CIS has two adjustable relay contact switches. One switch for low pressure alarm and one for high pressure alarm. The position of these switches can be manually adjusted from the front of the pressure gauge.
2. There are four wiring pins for the reading of these two switches. These are located in the casing at the rear of the gauge. These pins are numbered 1 through 4.
 - a. Pins 1 – 3 are for the low pressure alarm switch:
 - i. When the pressure reading is lower than the low alarm switch setting, these pins will be in the closed state.
 - ii. When the pressure reading is higher than the low alarm switch setting, these pins will be in the open state.
 - b. Pins 2 – 3 are for the high pressure alarm switch:
 - i. When the pressure reading is lower than the high alarm switch setting, these pins will be in the open state.
 - ii. When the pressure reading is higher than the high alarm switch setting, these pins will be in the closed state.
3. The recommended settings for the low and high alarms for chlorine gas systems are as follows:
 - a. Low Alarm: Suggested setting of 1 bar (14.5 PSI). The low alarm setting is used to indicate when the chlorine containers are nearly empty. Depending on operational considerations, you may want to adjust this setting either higher or lower.
 - b. High Alarm: Suggested setting is 10 bar (145 PSI). At 40 C (104 F) the vapor pressure of chlorine liquid is approximately 10 bar (145 PSI). Systems are generally designed to prevent pressures from exceeding about 10 bar (145 PSI).