



# Series HC-220 PID Controller

- Maximum Versatility
- Control Liquid or Gas Feed
- State-of-the-Art Design
- Practical Settings and Options

The **HC-220 PID Controller** offers the capability to control liquid chemical or gas chemical feed devices with a wide range of control options, adjustable features, and settings. Each **HC-220 PID Controller** can perform proportional, set point, and compound loop control.



## Control Options (all standard)

Manual Control

Proportional Control

Set Point (Residual, pH, or ORP)

Compound Loop (Residual, pH, or ORP)

## Highlighted Features

Liquid Crystal Display

4 Pushbutton User Interface

5x Analog Inputs and 2x 4-20mA Outputs for control

RS-232 Output

Alarm Relay Output

Adjustable: Signal Filters, Lag Time, Display Ranges, and more...

Password Protected Control Settings

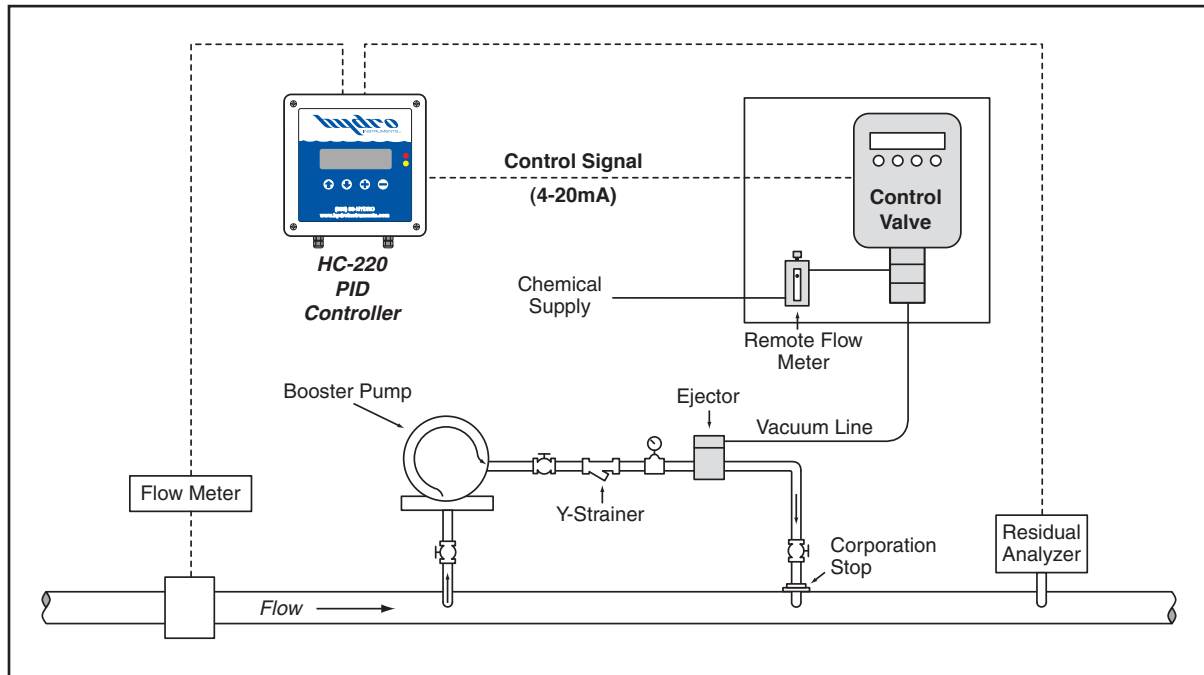
NEMA 4X Enclosure

The Hydro **PID Controller** is the next generation of the Hydro OV-190 Universal Controller. This device provides a thorough range of flexible settings and parameters to allow users to optimize their chemical feed control in a variety of configurations.

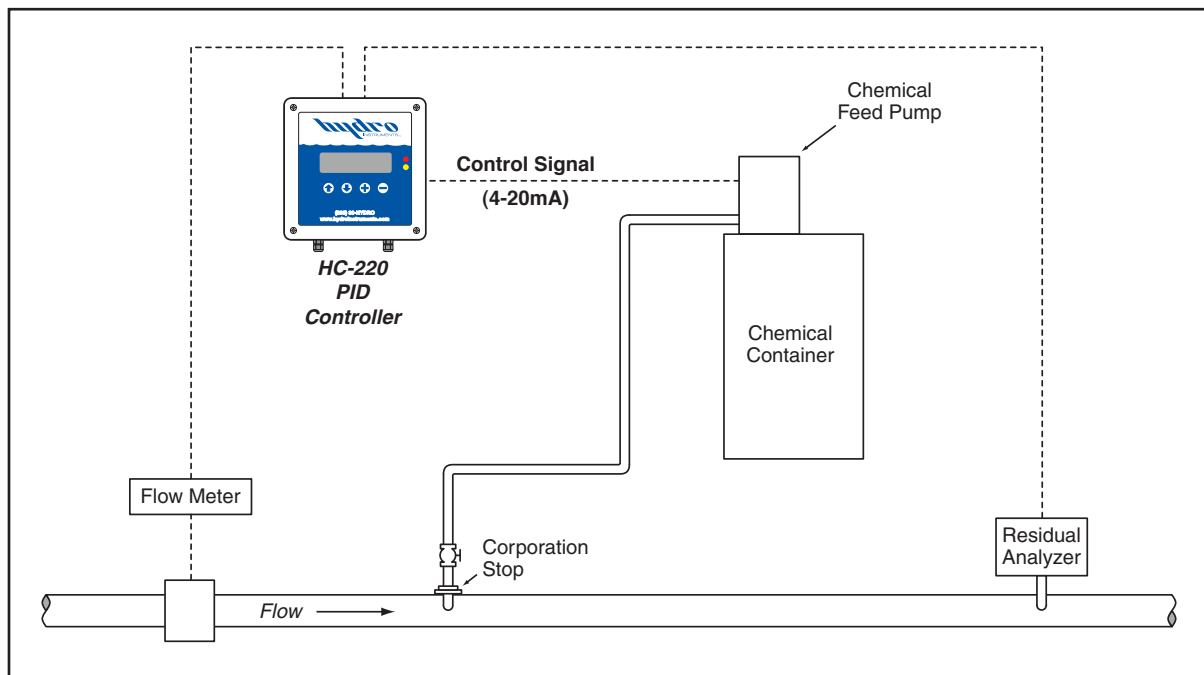
State-of-the-art microprocessor technology and years of industry experience have been combined to make the Hydro **PID Controller** extremely flexible and applicable to a wide range of applications.



# Series HC-220 PID Controller



Model HC-220 PID Controller (Compound Loop Control Vacuum System)



Model HC-220 PID Controller (Compound Loop Control Pump System)

