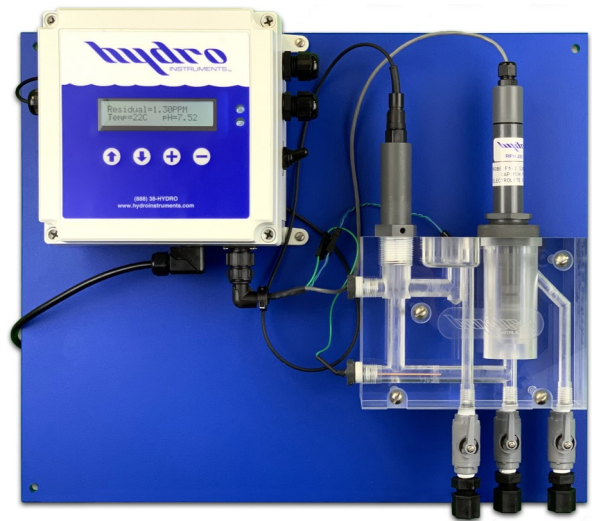


Features & Benefits

- Amperometric probe-style residual chlorine analyzer, provides continuous measurement & fast response.
- Disinfectant probes available:
Free Chlorine
Total Chlorine
Chlorine Dioxide
Chlorite
- pH and temperature compensation available
- Includes complete PID control (standard)
- Multiple 4-20mA analog outputs
- Multiple alarm relays
- Modbus communication
- Optional data logging
- Constant-head flow cell with bubble trap and cross flow diverter to stabilize readings or optional pressurized flow cell.

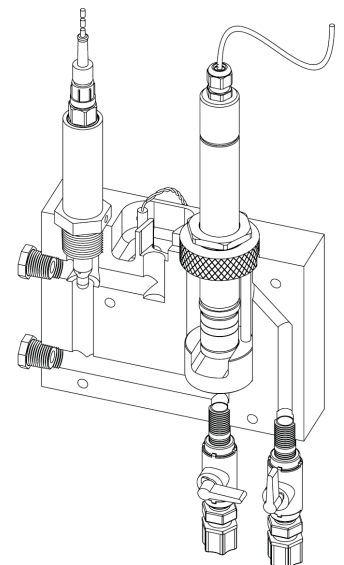


Description

The Series RPH-250 residual analyzer uses the amperometric method to determine residual levels in the sample water. The measurement is continuous and does not rely on a sample & hold method, thereby allowing for better process control. The disinfectant measurement probes are easily accessible and serviceable.

The Series RPH-250 residual analyzer is optionally available with pH compensation performed in software. The analyzer also includes a complete PID control program.

Because disinfectant measurement probes are sensitive to pressure and flow fluctuations, the RPH-250 includes an open, gravity-flow/constant-head flow cell to maintain a consistent low pressure and stable flow and a bubble trap and cross flow diverter to prevent bubbles from accumulating on the probes measuring surface.



Basic Specifications

MEASUREMENT

Sample Water Flow Rate: 4-8 GPH (15-30 l/h) for open flow cell

Sample Pressure: 5 PSI (0.3 bar) for open flow cell

Sample Supply: Continuous.
Note: Probes with a membrane cap must be kept wet.

Speed of Response: T_{90} : Approx. 30 sec. for Free Chlorine
 T_{90} : Approx. 2 min. for Total Chlorine
Note: Speed of response will vary depending on probe selection.

Measurement Range: 0-0.5 PPM, 0-2.0 PPM, 0-5.0 PPM, 0-10 PPM, 0-20 PPM or 0-200 PPM
Note: Available measurement range may vary depending on probe selection.

Resolution: 0.01 ppm or +/-1% of range, whichever is larger.
Note: Resolution will vary depending on probe selection.

ELECTRICAL

Power Requirements: 100-250 VAC, 50-60 Hz or 24 VDC

COMMUNICATION

Analog Outputs: Qty. 4: 4-20 mA (selectable)

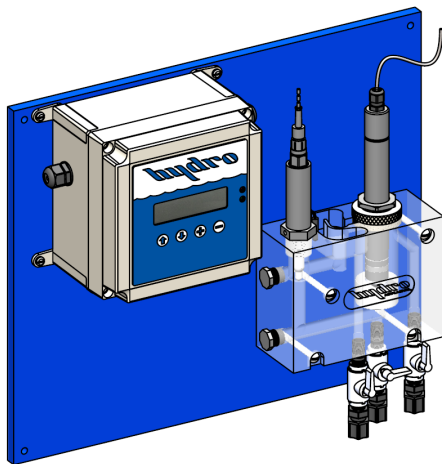
Alarm Relay Contacts: Qty. 4: 10 Amps @ 120 VAC or 24 VDC, resistive load, 5 Amps @ 240 VAC, resistive load (selectable)

Modbus: RS-485 RTU

Profibus: Optionally supported

Data Logger: Optional data logging writes data on a removable MicroSD card

RPH-250
(with open, constant-head flow cell)



RPH-250
(with pressurized flow cell)

